

# P-FR FERRULES

**Features:**

- Low insertion loss
- Low backreflection loss
- Easy to handle
- Environmentally stable

**Applications:**

- Telecommunications
- Local area network
- Fiber to the home
- Fiber optic sensors
- Testing instruments
- CATV



## Performance Specifications:

ITEM	Ferrules	
	Singlemode	Multimode
Mode Type	Singlemode	Multimode
Capillary Tolerance, mm	+0.001/-0	+0.004/-0
Typical Insertion Loss, dB	0.15	0.3
Typical Return Loss(***), dB	-50	—
Operating Temperature, °C	-40 ~ +75	
Storage Temperature, °C	-55 ~ +85	

Note : \*\*\* for convex polishing only

## Ordering Information:

P - FR - □□ - □ - □□□ - □

**Connector Type**

- AP FC/APC, SC/APC type Conical Ferrule
- AT FC/APC, SC/APC type Step Ferrule
- FC FC, SC type
- ST ST type
- LC LC type
- MU MU type
- XX Others, please specify

**Ferrule Material**

- M Metal with flange
- C Ceramic (Zirconia) with flange
- W Ceramic(Zirconia) without flange
- X Others, please specify

**Ferrule Inner Diameter**

- 125 125µm      126 126µm
- 127 127µm      XXX Others, please specify

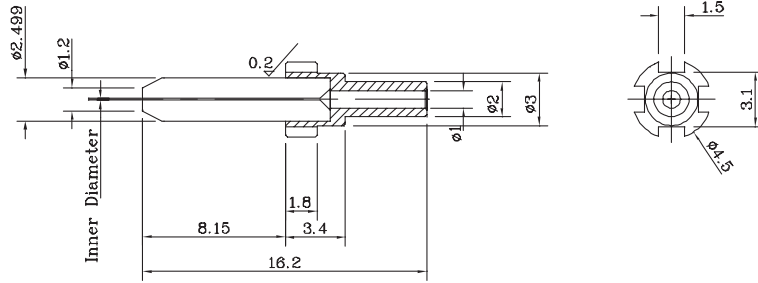
**Mode Type**

- S Singlemode      M Multimode

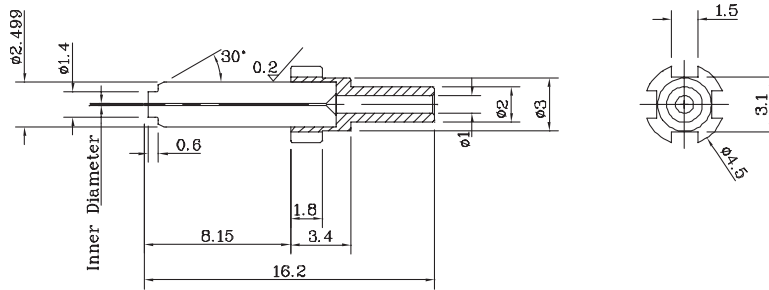
# FERRULES

## Mechanical Drawings:

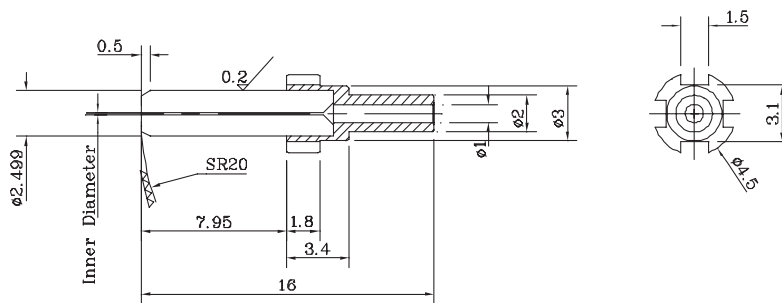
Unit: mm



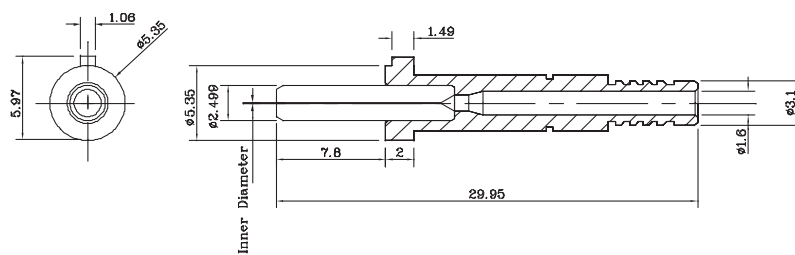
P-FR-AP-□ - □□□ - □



P-FR-AT-□ - □□□ - □



P-FR-FC-□ - □□□ - □



P-FR-ST-□ - □□□ - □