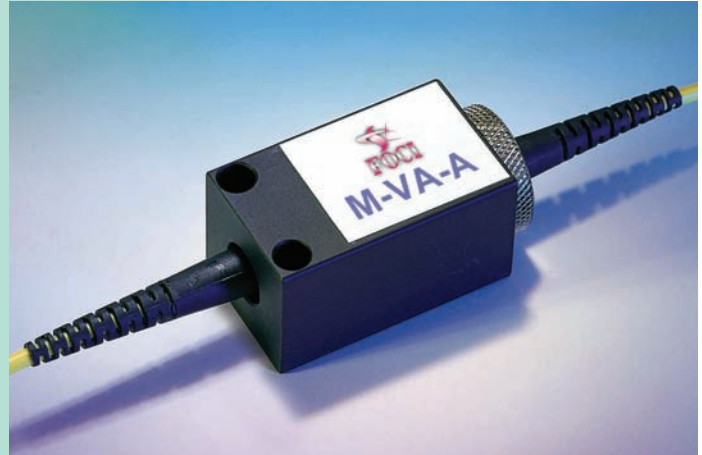


M-VA-A MECHANICAL VARIABLE AIRGAP-TYPE ATTENUATORS

Features:

- Environmentally stable
- Easy installation
- Custom designed specifications
- Low return loss
- Readily panel mountable
- Compact packaging



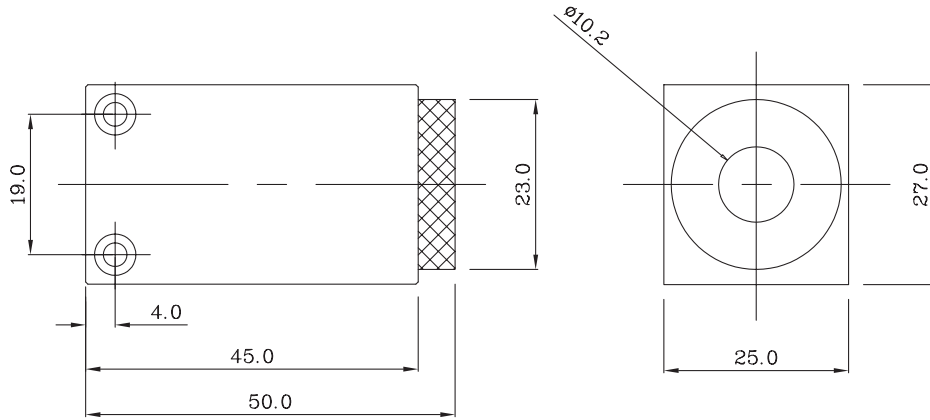
Performance Specifications:

Parameter	Mechanical Variable Airgap-Type Attenuators	
	SM	MM
Mode Type	SM	MM
Optical Wavelength, nm	1260 to 1600	850, 1310
Max. Residual Attenuation, dB	1.5	1.5
Min. Attenuation Range, dB	35	25
Max. Resolution, dB	0.15	0.15
Min. Optical Return Loss, dB	55	-
Max. Polarization Sensitivity, dB	0.2	-
Max. Thermal Stability, dB/°C	0.03	-
Max. Optical Power, mW	300	-
Operation Temperature, °C	0 ~ +60	
Storage Temperature, °C	-40 ~ +75	
Packaging Dimension, mm	50 x 27 x 25	

MECHANICAL VARIABLE AIRGAP-TYPE ATTENUATORS

Mechanical Drawings:

Unit: mm



Ordering Information:

M - VA - A - □ - □ - □□ - □□ / □□

Fiber Type (Input / Output)

A	Singlemode Fiber	D	MM 62.5/125 μ m
C	MM 50/125 μ m	X	Others

Cable Type

Q	3mm cable	O	2mm cable
X	Others		

Fiber Length (For Each End)

01	1m	15	15m
05	5m	20	20m
10	10m	XX	Others

Connector Type (Input / Output)

NC	None	AP	FC/APC type
FC	FC type	AS	SC/APC type
SC	SC type	ST	ST type
LC	LC type	MU	MU type
XX	Others		