

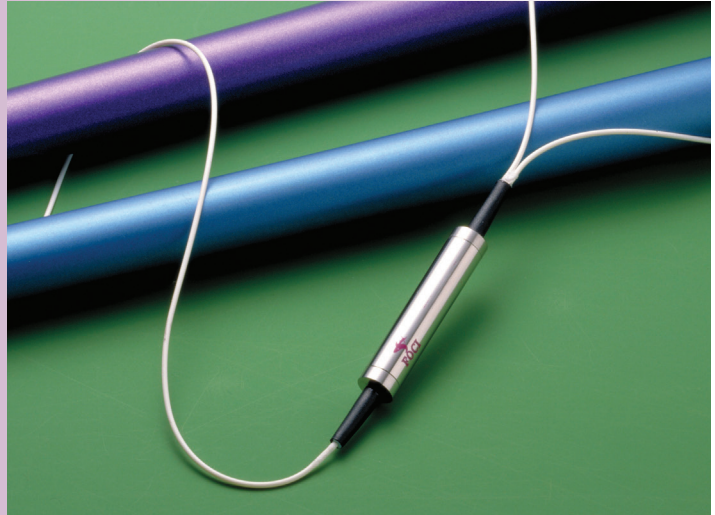
M-NT SINGLEMODE EDGE FILTER WDMs

Features:

- Environmentally stable
- Wide bandpass
- Low return loss
- Low loss, low cross-talk
- High isolation
- Low Polarization dependent loss
- Optical path epoxy free

Applications:

- Telecommunications
- Local area network
- Fiber optic sensors
- Testing instruments
- RFTS & CATV & FTTH



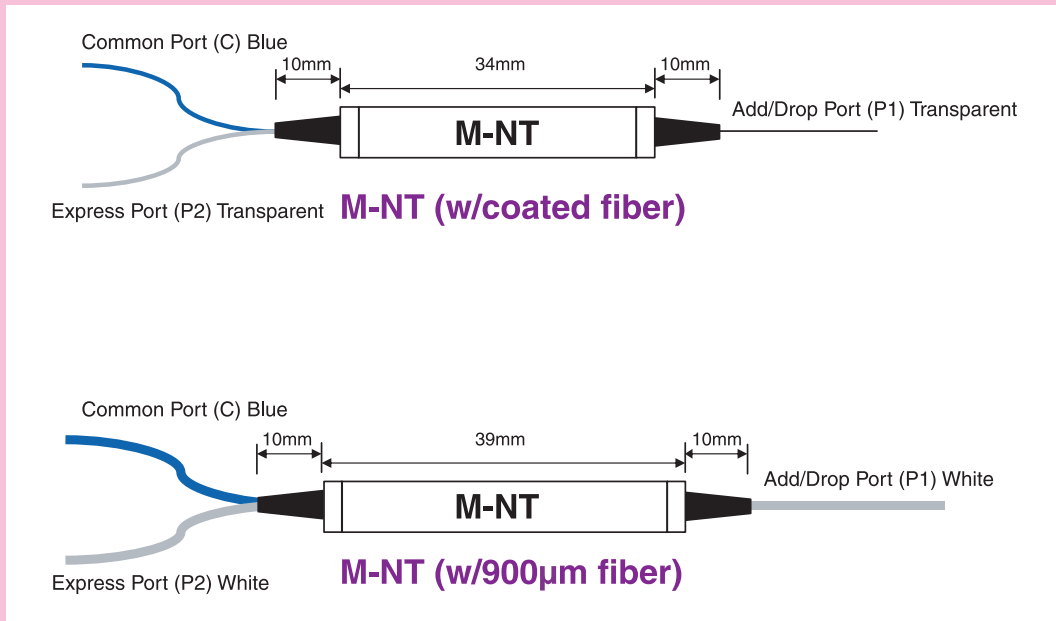
Performance Specifications:

ITEM		Singlemode Edge Filter WDM
Operating Wavelength, nm		1260~1360 & 1460~1620 or Customer Specify
Insertion Loss, dB	Typical	0.5
	Max	0.7 & 0.5 (at reflect channel)
Passband Ripple, dB		≤0.3
Isolation, dB		≥15 (reflect channel) ≥40 (pass channel)
Optical Return Loss, dB		≥45
Directivity, dB		≥50
Thermal Stability, dB / °C		≤0.005
Polarization Dependent Loss, dB		≤0.05
Polarization Mode Dispersion, ps		≤0.1
Max. Optical Power, mW		300
Max. Tensile Load, N		5
Storage Temperature, °C		-40 ~85
Operating Temperature, °C		0 ~ 70
Package Size, mm		Ø5.5 x 34 mm for coated fiber (250µm) Ø5.5 x 39 mm for loose tube cable (900µm)

* Without Connector Loss

SINGLEMODE EDGE FILTER WDMS

Diagram & Dimensions



Ordering Information:

M - NT - - - - - / - 1

Wavelength

- 35 1310/1550 nm (reflect/pass)
- 53 1550/1310 nm (reflect/pass)
- XX Others, please specify

Fiber Type

- A Singlemode fiber J G. 657. A1 fiber

Package Option (for both ends)

- D Coated fiber (250µm)
- M Loose tube cable (900µm)
- X Others, please specify

Pigtail Length

- 10 1 meter
- XX Others, please specify

Connector Type (Com / P₁ & P₂)

- | | | | |
|----|------------------------|----|-------------|
| FC | FC type | AP | FC/APC type |
| SC | SC type | AS | SC/APC type |
| ST | ST type | MU | MU type |
| LC | LC type | NC | None |
| XX | Others, please specify | | |