

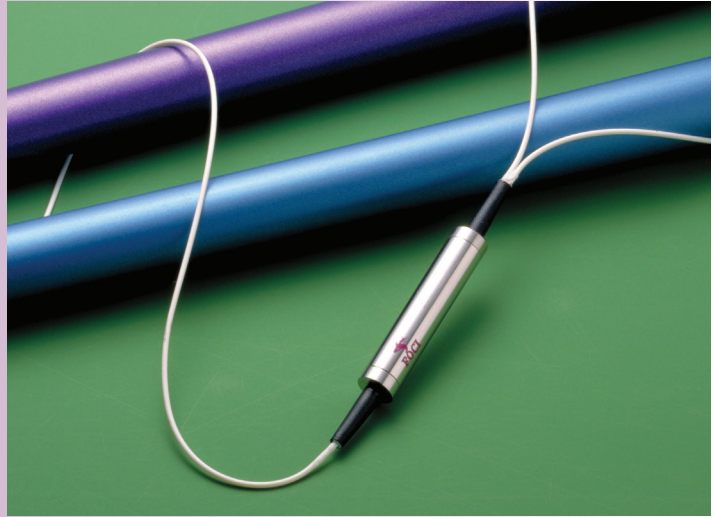
# M-NT-TR TRIPLE WAVELENGTH WDMs(1310/1490/1550 NM)

**Features:**

- Environmentally stable
- Wide bandpass
- Low return loss
- Low loss, low cross-talk
- High isolation
- Low Polarization dependent loss
- Optical path epoxy free

**Applications:**

- Telecommunications
- Local area network
- Fiber optic sensors
- Testing instruments
- RFTS & CATV & FTTH



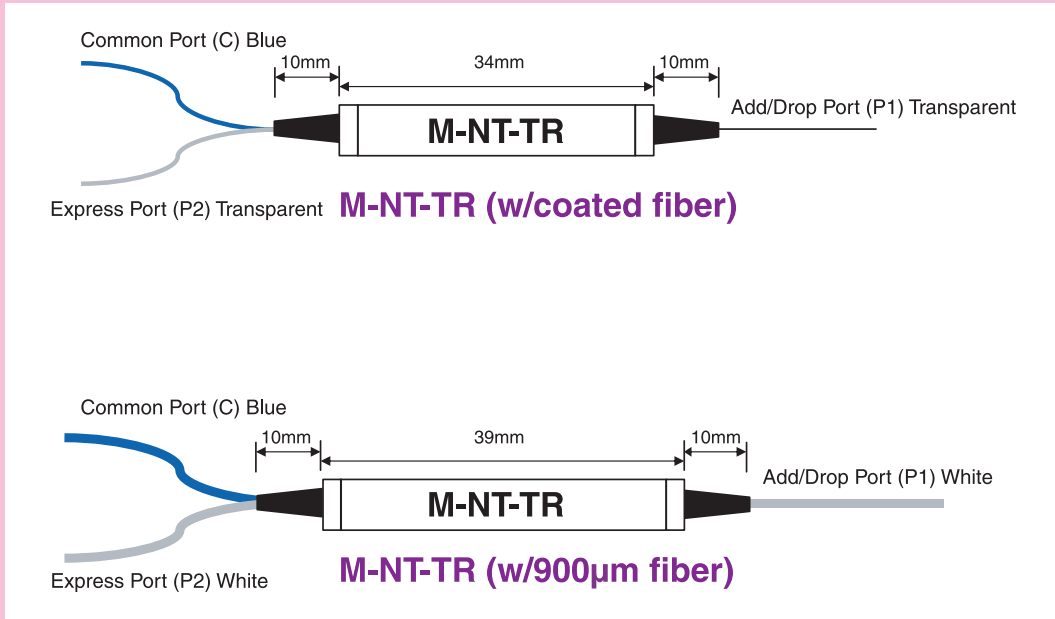
**Performance Specifications:**

ITEM		Triple Wavelength WDM
Operating Wavelength, nm		1310 ± 50(reflect), 1490 ± 10(reflect), 1550 ±10(pass) or Customer Specify
Insertion Loss, dB	Typical	0.70
	Max	1.0
Passband Ripple, dB		≤0.3
Isolation, dB		≥25 ( 1310/1490nm port ) ≥40 ( 1550nm port )
Optical Return Loss, dB		≥45
Directivity, dB		≥50
Thermal Stability, dB / °C		≤0.005
Polarization Dependent Loss, dB		≤0.05
Polarization Mode Dispersion, ps		≤0.1
Max. Optical Power, mW		300
Max. Tensile Load, N		5
Storage Temperature, °C		-40 ~85
Operating Temperature, °C		0 ~ 70
Package Size, mm		Ø5.5 x 34 mm for coated fiber (250µm) Ø5.5 x 39 mm for loose tube cable (900µm)

\* Without Connector Loss

# TRIPLE WAVELENGTH WDMS (1310/1490/1550 NM)

## Diagram & Dimensions



## Ordering Information:

M - NT - TR -  -  -  -  /  - 1

<b>Fiber Type</b>				
A	Singlemode SM fiber	J	G. 657. A1 fiber	
<b>Package Option (for both ends)</b>				
D	Coated fiber (250µm)			
M	Loose tube cable (900µm)	K	Loose tube cable (900µm) with G. 657. A1 fiber	
X	Others, please specify			
<b>Pigtail Length</b>				
10	1 meter	05	0.5 meter	
XX	Others, please specify			
<b>Connector Type (Com / P<sub>1</sub> &amp; P<sub>2</sub>)</b>				
FC	FC type	AP	FC/APC type	
SC	SC type	AS	SC/APC type	
ST	ST type	MU	MU type	
LC	LC type	NC	None	
XX	Others, please specify			