

M-MM MULTIMODE FILTER WDMS

Features:

- 850/1310nm operating wavelength
- Wideband pass
- Low return loss
- Low cross-talk
- Low insertion loss
- High isolation

Applications:

- Telecommunications
- Local area network
- Fiber optic sensors
- Testing instruments
- RFTS & CATV



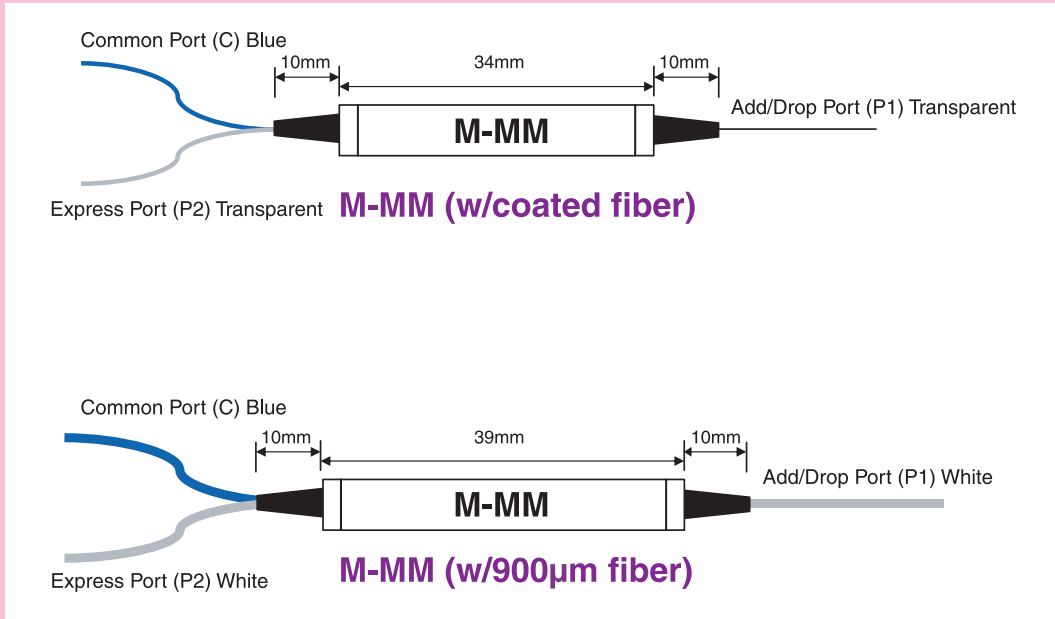
Performance Specifications:

ITEM	Multimode Filter WDM
Operating Wavelength, nm	800~900nm reflect & 1260~1360nm pass (or Customer Specify)
Insertion Loss, dB	Typical: 0.9dB; Max: 1.2 dB
Isolation, dB	≥40 dB (C → P ₁ @ 850 nm VCSEL) ≥15 dB (C → P ₂ @ 1310 nm VCSEL) ≥20 dB (C → P ₁ @ 850 nm LED) ≥15 dB (C → P ₂ @ 1310 nm LED)
Max. Tensile Load, N	5
Thermal Stability, dB / °C	≤0.005
Storage / Operating Temperature, °C	-40 ~85 / 0 ~ 70
Package Size, mm	Ø5.5 x 34 mm for coated fiber (250µm) Ø5.5 x 39 mm for loose tube cable (900µm)

* Without Connector Loss

MULTIMODE FILTER WDMS

Diagram & Dimensions



Ordering Information:

M - MM - - - - - / - 0

Wavelength

- 83 800-900nm/1260-1360 nm (reflect/pass)
- XX Others, please specify

Fiber Type

- C 50/125µm fiber
- D 62.5/125µm fiber

Package Option (for both ends)

- D Coated fiber (250µm)
- M Loose tube cable (900µm)
- X Others, please specify

Pigtail Length

- 10 1 meter
- XX Others, please specify

Connector Type (Com / Output P₁ & P₂)

- | | | | |
|----|------------------------|----|-------------|
| FC | FC type | AP | FC/APC type |
| SC | SC type | AS | SC/APC type |
| ST | ST type | MU | MU type |
| LC | LC type | NC | None |
| XX | Others, please specify | | |