

M-AD-2 200 GHz DWDM ADD/DROPS

Features:

- Environmentally stable
- Easy installation
- Custom-defined specifications
- Low return loss
- Low loss, low cross-talk
- ITU standard

Applications:

- Telecommunications
- Local area network
- DWDM & FTTH



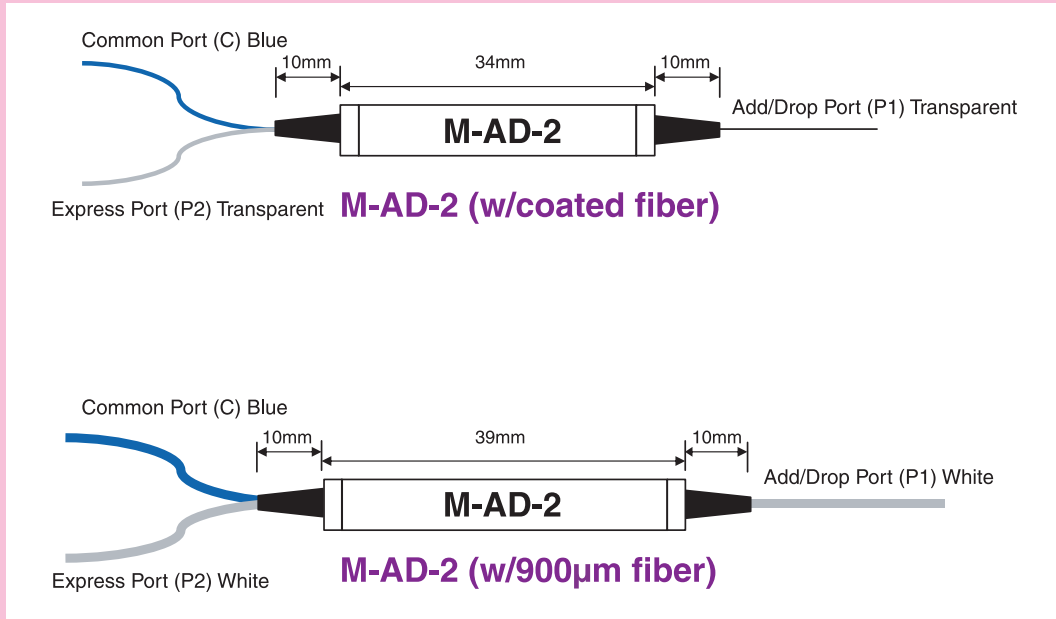
Performance Specifications:

ITEM	200 GHz DWDM Add/Drop
Bandpass @0.5dB, nm	ITU \pm 0.25
Channel Spacing , GHz	200
Add/Drop Channel Insertion Loss (C-P ₁), dB	\leq 1.0
Express Channel Insertion Loss (C-P ₂), dB	\leq 0.4
Add/Drop Channel Ripple, dB	\leq 0.3
Isolation (C-P ₁), dB	\geq 30
Isolation (C-P ₂), dB	\geq 12
Directivity, dB	\geq 50
Optical Input Return Loss, dB	\geq 45
Polarization Dependent Loss, dB	\leq 0.1
Polarization Mode Dispersion(PMD), ps	\leq 0.15
Thermal Stability, dB/ °C	\leq 0.005
Thermal Stability Drift, pm/ °C	\leq 2
Max. Optical Power, mW	300
Max. Tensile Load, N	5
Storage Temperature, °C	-40 ~ 85
Operating Temperature, °C	0 ~ 70
Package Size, mm	\varnothing 5.5 x 34 mm for coated fiber (250 μ m) \varnothing 5.5 x 39 mm for loose tube cable (900 μ m)

* Without Connector Loss

200 GHz DWDM ADD/DROPS

Diagram & Dimensions



Ordering Information:

M - AD - 2 - - - - / - 1

Channel Spacing

- 2 200GHz
- X Others, please specify

Center Wavelength

- 21 1560.61nm
- 35 1549.32nm
- XX Others, ITU Standard

Package Option (for both ends)

- | | | | |
|---|--------------------------|---|--|
| D | Coated SM fiber (250µm) | J | G. 657. A1 fiber |
| M | Loose tube cable (900µm) | K | Loose tube cable (900µm) with G. 657. A1 fiber |
| X | Others, please specify | | |

Pigtail Length

- | | | | |
|----|-----------|----|------------------------|
| 10 | 1 meter | 05 | 0.5meter |
| 20 | 2 meter | 15 | 1.5meter |
| 00 | Modulized | XX | Others, please specify |

Connector Type (Common / Output P₁+ P₂)

- | | | | |
|----|------------------------|----|-------------|
| FC | FC type | AP | FC/APC type |
| SC | SC type | AS | SC/APC type |
| ST | ST type | MU | MU type |
| LC | LC type | NC | None |
| XX | Others, please specify | | |