

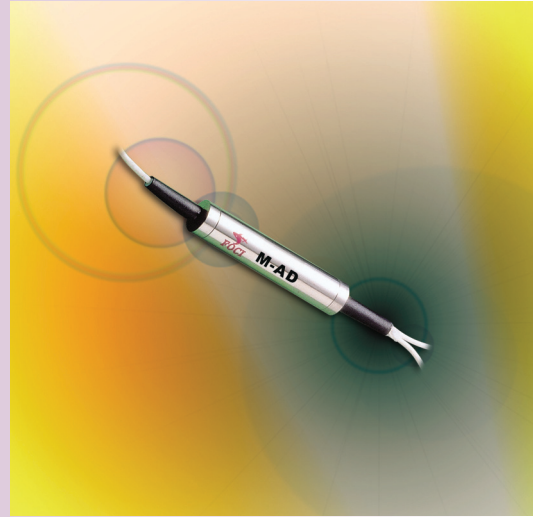
# M-AD-1 100 GHz DWDM ADD/DROPS

## Features:

- Environmentally stable
- Easy installation
- Custom-defined specifications
- Low return loss
- Low loss, low cross-talk
- ITU standard

## Applications:

- Telecommunications
- Local area network
- DWDM & FTTH



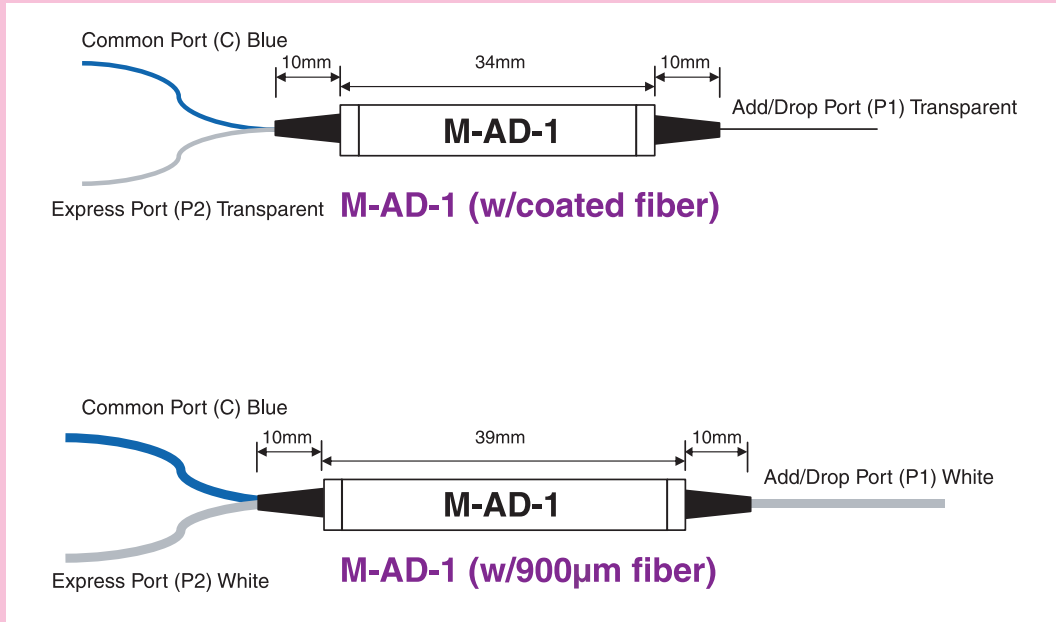
## Performance Specifications:

ITEM	100 GHz DWDM Add/Drop
Bandpass @0.5dB, nm	ITU± 0.1
Channel Spacing , GHz	100
Add/Drop Channel Insertion Loss (C-P <sub>1</sub> ), dB	≤1.0
Express Channel Insertion Loss (C-P <sub>2</sub> ), dB	≤0.4
Add/Drop Channel Ripple, dB	≤0.3
Isolation (C-P <sub>1</sub> ), dB	≥25
Isolation (C-P <sub>2</sub> ), dB	≥12
Directivity, dB	≥45
Optical Input Return Loss, dB	≥45
Polarization Dependent Loss, dB	≤0.1
Polarization Mode Dispersion(PMD), ps	≤0.15
Thermal Stability, dB/ °C	≤0.005
Thermal Stability Drift, pm/ °C	≤1
Max. Optical Power, mW	300
Max. Tensile Load, N	5
Storage Temperature, °C	-40 ~ 85
Operating Temperature, °C	0 ~ 70
Package Size, mm	Ø5.5 x 34 mm for coated fiber (250µm) Ø5.5 x 39 mm for loose tube cable (900µm)

\* Without Connector Loss

# 100 GHz DWDM ADD/DROPS

## Diagram & Dimensions



## Ordering Information:

M - AD - 1 - □ - □ - □ - □ - □ / □ - 1

**Channel Spacing**

- 1 100GHz
- X Others, please specify

**Center Wavelength**

- 21 ITU Standard channel C21 (1560.61nm)
- 35 ITU Standard channel C35 (1549.32nm)
- XX Others, ITU Standard

**Package Option (for both ends)**

- |   |                          |   |  |
|---|--------------------------|---|--|
| D | Coated SM fiber (250µm)  | J | G. 657. A1 fiber                               |
| M | Loose tube cable (900µm) | K | Loose tube cable (900µm) with G. 657. A1 fiber |
| X | Others, please specify   |   |  |

**Pigtail Length**

- |    |           |    |                        |
|----|-----------|----|------------------------|
| 10 | 1 meter   | 05 | 0.5meter               |
| 20 | 2 meter   | 15 | 1.5meter               |
| 00 | Modulized | XX | Others, please specify |

**Connector Type (Common / Output P<sub>1</sub>+ P<sub>2</sub>)**

- |    |                        |    |             |
|----|------------------------|----|-------------|
| FC | FC type                | AP | FC/APC type |
| SC | SC type                | AS | SC/APC type |
| ST | ST type                | MU | MU type     |
| LC | LC type                | NC | None        |
| XX | Others, please specify |    |             |