

# D-WP FIBER OPTIC WALL-MOUNT PATCH PANELS

## Features:

- Quick and easy access
- Locking door to ensure security
- Labels can be traceable for fiber routing
- Up to 24 fiber counts per each panel
- Strain relief to all entry cables
- Retractable splicing trays
- Various removable adaptor plates
- Protect minimum bend radius of fibers

## Applications:

- Telecommunications
- Local area network
- CATV
- Fiber to the home



## Selection of D-WP- □ - □ □ □

Model Fiber counts	Number of Splicing tray(s)	Number of Adaptor plates	Dimensions H x W x D (mm)
D-WP- □ -012	D-ST-01 x 1	D-AP- □□ x 2	340 x 295 x 70
D-WP- □ -024	D-ST-01 x 2	D-AP- □□ x 4	340 x 295 x 90

### Remarks :

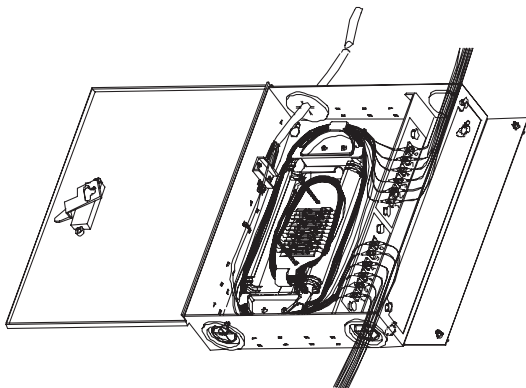
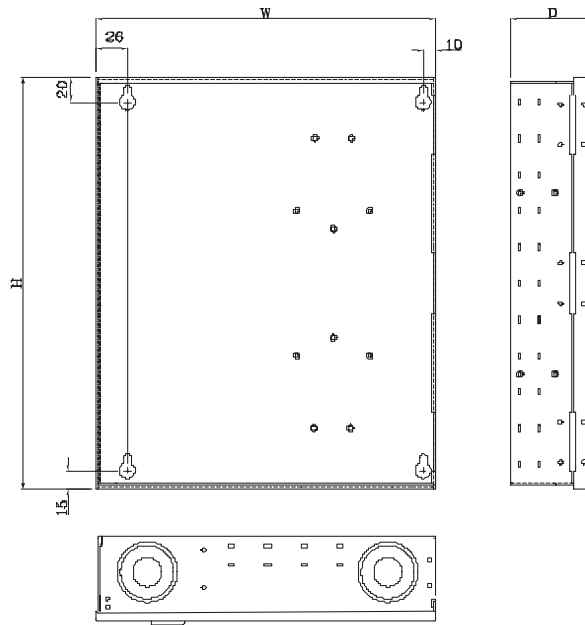
- 1) Typical adaptor insertion loss: 0.15dB for Singlemode; 0.3dB for Multimode, please refer to P-AD catalogue
- 2) Each splicing tray capacity: 12 fiber counts
- 3) The bending curvature of splicing tray: > 40 mm

# FIBER OPTIC RACK-MOUNT PATCH PANELS

## Physical Dimensions:

MAIN FRAME

Unit: mm

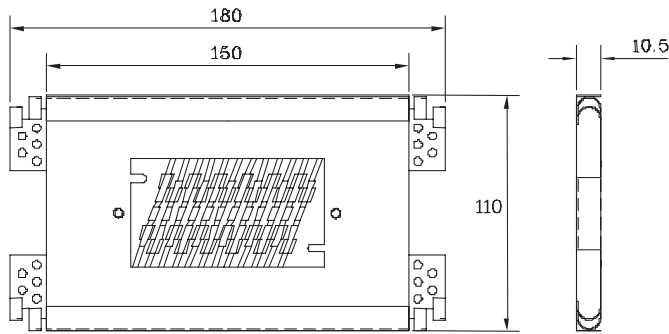


# FIBER OPTIC RACK-MOUNT PATCH PANELS

## Physical Drawings:

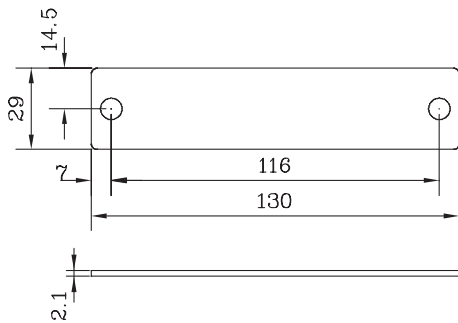
### SPLICING TRAY

Unit: mm

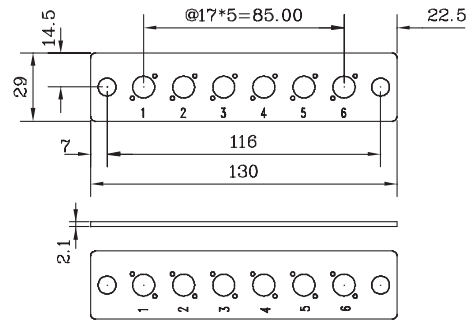


D-ST-01

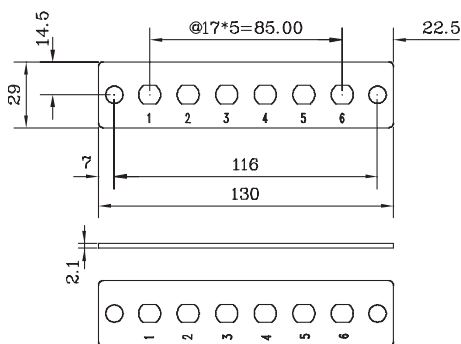
### ADAPTOR PLATES



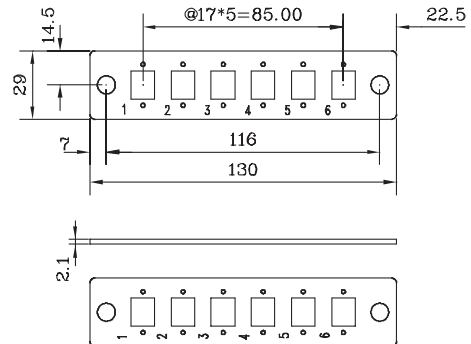
D-AP-01 (Blank)



D-AP-02 (FC type)



D-AP-03 (ST type)



D-AP-04 (SC type)

# FIBER OPTIC RACK-MOUNT PATCH PANELS

## Ordering Information:

D - WP -  -

**Lock Type**

B Circle type

**Fiber Count**

012 12 counts

024 24 counts

D - AP -

**Adaptor Plate**

01 Blank

02 FC type

03 ST type

04 SC type

05 DF type

Adaptors are not included in the plate.

Please order adaptors separately from P-series if needed.

D - ST -

**Splicing Tray**

01 For Single Fiber